

1000W Outdoor Moving head strobe light

User Manual



This manual contains important information.
Please read before operating fixture.

1. PACKAGE CONTENTS

1. The strobe moving head light
2. Power cable
3. DMX cable
4. User Manual

2. Menu Map

Menu Selection	Value	Remarks
DMX Start Address	1-512	Set the DMX start address
Setup		
DMX Mode		
M01 COMPRESS	-	Compressed 14-channel mode
M02 NORMAL	-	Normal 23-channel mode
M03 SPIX	-	High resolution 68-channel mode
M04 SPIXPRO	-	High resolution 62-channel mode
M05 IPIXPRO	-	Low resolution 17-channel mode
M06 Easy	-	Easy 11-channel mode
Settings		
Tilt		
Invert Tilt	ON/OFF	Invert tilt control
Reset Tilt	ON/OFF	If set to OFF, tilt movement will not reset if fixture resets
Position Feedback	ON/OFF	Enable/disable tilt position feedback
Barndoor	ON/OFF	Reduces tilt speed to protect barndoors etc.

		ON	Tilt enabled and DMX controllable
		OFF	Tilt disabled
	Tilt Enable	NC	Tilt enabled, not DMX controllable
	Shutter		
	Error Blackout	ON/OFF	Blackout if internal error detected
	No DMX Blackout	ON/OFF	Blackout if no DMX for 3 seconds
	Init Positions		
	Save		Save as initial positions
	Reset		Restore default positions
	Dimming Curve		
	Linear		Select dimming curve
	Soft		
	Extra Soft		
	DMX Hold		Behavior if no DMX signal received
	Off	-	Blackout on loss of DMX
	Fade Out	-	Fade out on loss of DMX
	Hold	-	Hold state on loss of DMX
	PWM Frequency		Adjust PWM frequency for all LEDs
	582-618 Hz	-	Default = 600 Hz
	1200 Hz	-	
	2400 Hz	-	
	Pixel Orientation	INVRS/ NORM	Numbering of all plate and all beam pixels (OFF = normal, ON = inverted)
	Second Pixel Orientation	INVRS/ NORM	Numbering of plate pixels 7- 12 only (OFF = normal, ON = inverted)

	Fixture Status		
	Power State	BAT/PO	Fixture on battery or AC mains power
	DMX Input Monitor		
	Tilt	0-255	Shows current DMX values for each effect
	Special / Control	0-255	
	Beam FX Shutter	0-255	
	Beam Dimmer	0-255	
	Beam Duration	0-255	
	Beam Rate	0-255	
	Color Shutter	0-255	
	FX Color Dimmer	0-255	
	Color Duration	0-255	
	Color Rate	0-255	
	Plate Red	0-255	
	Plate Green	0-255	
	Plate Blue	0-255	
	FX Crossfade	0-255	
	Pattern Color Movement	0-255	
	Pattern Select Color	0-255	
	Pattern Beam Movement	0-255	
	Pattern Select Beam	0-255	
	Master Pix Intensity	0-255	
	Fans Monitor		
	PSU Fan	RPM/V	

	Head Fan	RPM/V	Shows fan speed and voltage
Manual Control			
	Reset		Reset options
	Full System Reset	YES/NO	
	Tilt Reset	YES/NO	
	NM_LED L Driver	YES/NO	
	NM_LED R Driver	YES/NO	
Manual DMX			
	Tilt	0-255	Enter control values to control each effect (new values received via DMX override manually entered values)
	Special / Control	0-255	
	Beam FX Shutter	0-255	
	Beam Dimmer	0-255	
	Beam Duration	0-255	
	Beam Rate	0-255	
	Color Shutter	0-255	
	Color Dimmer	0-255	
	Color Duration	0-255	
	Color Rate	0-255	
	FX Color Dimmer	0-255	
	Plate Red	0-255	
	Plate Green	0-255	
	Plate Blue	0-255	
	FX Crossfade	0-255	
	Pattern Color Movement	0-255	
	Pattern Select Color	0-255	

	Pattern Beam Movement	0-255	Enter control values to control each effect (new values received via DMX override manually entered values)
	Pattern Select Beam	0-255	
	Master Pix	0-255	
	Intensity		
	Reset All Values	YES/NO	Set all manual DMX values to 0
Test			
	Tilt	ON/OFF	Run test of functions
	Color	ON/OFF	
	All	ON/OFF	
Service	Reserved		

3.DMX Channel

Channel Mode : 14CH/17CH/23CH/62CH/68CH/11 Channel

1	1	2	6	6	1	Function	Description	DMX Value	Percent	Default DMX	Fade
4	7	3	2	8	1						
C	C	C	C	C	C						
H	H	H	H	H	H						
1	1	1	1	1	1	Coarse Tilt (MSB)	0-185°	0-255	0-100%	127	Fade
2	2	2	2	2	2	Fine Tilt (LSB)	Coarse tilt + 0-1.2°	0-255	0-100%	127	Fade
3	3	3	3	3	3	Beam Intensity	Intensity 0-100%	0-255	0-100%	0	Fade

1 4 C H	1 7 C H	2 3 C H	6 2 C H	6 8 C H	1 1 C H	Function	Description	DMX Value	Percent	Default DMX	Fade
4	4	4	4	4	4	Beam Duration	Flash duration 7-650 ms	0-255	0-100%	255	Fade
5	5	5	5	5	5	Beam Rate	Flash rate 0.289-16.67 Hz	0-255	0-100%	255	Fade
6	6	6	6	6	6	Beam Shutter	No effect	0-36	0-14.0%	0	Snap
							Ramp up (= fade on, snap off)	37-40	14.5-15.5%		
							Ramp up random	41-44	16.0-17.0%		
							Ramp down	45-48	17.5-18.5%		
							Ramp down random	49-52	19.0-20.0%		
							Ramp up down	53-56	20.5-21.5%		
							Ramp up down random	57-60	22.0-23.0%		
							Random white beam	61-64	23.5-24.5%		
							Random single pixel of white beam	65-68	25.0-26.0%		
							Lightning	69-72	26.5-27.5%		
							Spikes (flash over low light)	73-76	28.0-29.0%		
							White beam, left to right	77-80	30.0-31.5%		
White beam, left to right, random	81-84	32.0-33.0%									

1 4 C H	1 7 C H	2 3 C H	6 2 C H	6 8 C H	1 1 C H	Function	Description	DMX Value	Percent	Default DMX	Fade
							White beam, right to left	85-88	33.5-34.5%		
							White beam, right to left, random	89-92	35.0-36.0%		
							White beam, left to right, bounce	93-96	36.5-37.5%		
							White beam, left to right, bounce, random	97-100	38.0-39.0%		
							White beam, right to left, bounce	101-104	39.5-40.5%		
							White beam, right to left, bounce, random	105-108	41.0-42.5%		
							Zig, 6 steps, outer to center pixels	109-112	43.0-43.5%		
							Zig, 6 steps, outer to center pixels	113-116	44.0-45.5%		
							random				
							Zag, 6 steps, center to outer pixels	117-120	46.0-47.0%		
							Zag, 6 steps, center to outer	121-124	47.5-48.5%		

1 4 C H	1 7 C H	2 3 C H	6 2 C H	6 8 C H	1 1 C H	Function	Description	DMX Value	Percent	Default DMX	Fade
							pixels, random				
							Zigzag, 10 steps	125-128	49.0-50.0%		
							Zigzag, 10 steps, random	129-132	50.5-52.0%		
							No function	133-179	52.5-70.0%		
							Double flash	180-183	70.6-71.8%		
							Double flash, random	184-187	72.2-73.3%		
							Double flash, b-c (beam-color)	188-191	73.7-74.9%		
							Double flash, b-c, random	192-195	75.3-76.5%		
							Double flash, c-b (color-beam)	196-199	76.9-78.0%		
							Double flash, c-b, random	200-203	78.4-79.6%		
							Triple flash	204-207	80.0-81.2%		
							Triple flash, random	208-211	81.6-82.7%		
							Triple flash, beam-color- beam	212-215	83.1-84.3%		
							Triple flash, b-c-b, random	216-219	84.7-85.9%		
							Triple flash, c-b-c	220-223	86.3-87.5%		

1 4 C H	1 7 C H	2 3 C H	6 2 C H	6 8 C H	1 1 C H	Function	Description	DMX Value	Percent	Default DMX	Fade
							Triple flash, c-b-c, random	224-227	87.8-89.0%		
							Quad flash	228-231	89.4-90.6%		
							Quad flash, random	232-235	91.0-92.2%		
							Quad flash, b-c-b-c	236-239	92.5-93.7%		
							Quad flash, b-c-b-c, random	240-243	94.1-95.3%		
							Quad flash, c-b-c-b	244-247	95.7-96.9%		
							Quad flash, c-b-c-b, random	248-251	97.3-98.4%		
							No function	252-255	98.5-100%		
7	7	7	7	7	7	Special / Control	No function	0	0%	0	Snap
							Beam Shutter effects and FX patterns offset:				
							10°	1	0.40%		
							20°	2	0.80%		
							30°	3	1.20%		
							40°	4	1.60%		
							50°	5	2.00%		
							60°	6	2.40%		
							70°	7	2.80%		
							80°	8	3.10%		
							90°	9	3.50%		
							100°	10	3.90%		
							110°	11	4.30%		

1 4 C H	1 7 C H	2 3 C H	6 2 C H	6 8 C H	1 1 C H	Function	Description	DMX Value	Percent	Default DMX	Fade
							120°	12	4.70%		
							130°	13	5.10%		
							140°	14	5.50%		
							150°	15	5.90%		
							160°	16	6.30%		
							170°	17	6.70%		
							180°	18	7.10%		
							190°	19	7.50%		
							200°	20	7.80%		
							210°	21	8.20%		
							220°	22	8.60%		
							230°	23	9.00%		
							240°	24	9.40%		
							250°	25	9.80%		
							260°	26	10.20%		
							270°	27	10.60%		
							280°	28	11.00%		
							290°	29	11.40%		
							300°	30	11.80%		
							310°	31	12.20%		
							320°	32	12.60%		
							330°	33	12.90%		
							340°	34	13.30%		
							350°	35	13.70%		
							360°	36	14.10%		
							No function	37-39	14.5-15.3%		
							Position feedback on*	40-44	15.7-17.3%		

1 4 C H	1 7 C H	2 3 C H	6 2 C H	6 8 C H	1 1 C H	Function	Description	DMX Value	Percent	Default DMX	Fade
							Position feedback off*	45-49	17.7-19.2%		
							Barndoor on*	50-54	19.6-21.2%		
							Barndoor off*	55-59	21.6-23.1%		
							No function	60-61	23.5-23.9%		
							Tilt power on*	62-63	24.3-24.7%		
							Tilt power off*	64-65	25.1-25.5%		
							Tilt reset on*	66-67	25.9-26.3%		
							Tilt reset off*	68-69	26.7-27.1%		
							Normal tilt control*	70-74	27.5-29.0%		
							Inverse tilt control*	75-79	29.4-31.0%		
							Normal pixel numbering, plates 1+2	80-84	31.4-32.9%		
							Inverse pixel numbering, plates 1+2	85-89	33.3-34.9%		
							Normal pixel numbering, 2nd plate	90-94	35.3-36.9%		
							Inverse pixel numbering, 2nd plate	95-99	37.3-38.8%		
							Linear dimming curve	100-101	39.2-39.6%		
							Soft dimming	102-103	40.0-40.4%		

1 4 C H	1 7 C H	2 3 C H	6 2 C H	6 8 C H	1 1 C H	Function	Description	DMX Value	Percent	Default DMX	Fade
							curve				
							Extra-soft dimming curve	104-105	40.8-41.2%		
							No function	106-120	41.6-47.1%		
							PWM frequency (hold value for >3 seconds):				
							582 Hz	121-122	47.5-47.8%		
							583 Hz	123-124	48.2-48.6%		
							584 Hz	125-126	49.0-49.4%		
							585 Hz	127-128	49.8-50.2%		
							586 Hz	129-130	50.6-51.0%		
							587 Hz	131-132	51.4-51.8%		
							588 Hz	133-134	52.2-52.5%		
							589 Hz	135-136	52.9-53.3%		
							590 Hz	137-138	53.7-54.1%		
							591 Hz	139-140	54.5-54.9%		
							592 Hz	141-142	55.3-55.7%		
							593 Hz	143-144	56.1-56.5%		
							594 Hz	145-146	56.9-57.3%		
							595 Hz	147-148	57.6-58.0%		
							596 Hz	149-150	58.4-58.8%		
							597 Hz	151-152	59.2-59.6%		
							598 Hz	153-154	60.0-60.4%		
							599 Hz	155-156	60.8-61.2%		
							600 Hz	157-158	61.6-62.0%		
							601 Hz	159-160	62.4-62.7%		
							602 Hz	161-162	63.1-63.5%		
							603 Hz	163-164	63.9-64.3%		

1 4 C H	1 7 C H	2 3 C H	6 2 C H	6 8 C H	1 1 C H	Function	Description	DMX Value	Percent	Default DMX	Fade
							604 Hz	165-166	64.7-65.1%		
							605 Hz	167-168	65.5-65.9%		
							606 Hz	169-170	66.3-66.7%		
							607 Hz	171-172	67.1-67.5%		
							608 Hz	173-174	67.8-68.2%		
							609 Hz	175-176	68.6-69.0%		
							610 Hz	177-178	69.4-69.8%		
							611 Hz	179-180	70.2-70.6%		
							612 Hz	181-182	71.0-71.4%		
							613 Hz	183-184	71.8-72.2%		
							614 Hz	185-186	72.5-72.9%		
							615 Hz	187-188	73.3-73.7%		
							616 Hz	189-190	74.1-74.5%		
							617 Hz	191-192	74.9-75.3%		
							618 Hz	193-194	75.6-76.1%		
							1200 Hz	195-197	76.5-77.3%		
							2400 Hz	198-200	77.6-78.4%		
							Fan mode = Auto	201-204	78.8-80.0%		
							Fan mode = High	205-209	80.4-82.0%		
							Percentage flash mode (hold for >0.5 sec.)	210-214	82.5-84.0%		
							Normal flash mode (hold for >0.5 sec.)	215-219	84.5-85.0%		
							Dimmer flash	220-224	86.0-87.5%		

1 4 C H	1 7 C H	2 3 C H	6 2 C H	6 8 C H	1 1 C H	Function	Description	DMX Value	Percent	Default DMX	Fade
							mode on*				
							Dimmer flash mode off*	225-229	88.0-90.0%		
							FX color priority = Beam*	230-233	90.5-91.4%		
							FX color priority = Mixed*	234-236	91.8-92.5%		
							FX color priority = Plate*	237-239	92.9-93.7%		
							Aggressive flash mode (hold for >0.5 sec.)	240-244	94.1-95.7%		
							No function	245-247	96.1-96.9%		
							Reset (hold value for >5 sec.)	248-255	97.3-100%		
8	8	8	8	8	*	Plate Intensity	Intensity 0-100%	0-255	0-100%	0	Fade
9	9	9	9	9	*	Plate Flash Duration	7-650 ms	0-255	0-100%	255	Fade
1 0	1 0	1 0	1 0	1 0	*	Plate Flash Rate	0.289-16.67 Hz	0-255	0-100%	255	Fade
1 1	1 1	1 1	1 1	1 1	*	Plate Shutter	No function	0	0-100%	0	Snap
							Plate Shutter effects and FX patterns offset:				
							10°	1	0.40%		
							20°	2	0.80%		
							30°	3	1.20%		

1 4 C H	1 7 C H	2 3 C H	6 2 C H	6 8 C H	1 1 C H	Function	Description	DMX Value	Percent	Default DMX	Fade
							40°	4	1.60%		
							50°	5	2.00%		
							60°	6	2.40%		
							70°	7	2.80%		
							80°	8	3.10%		
							90°	9	3.50%		
							100°	10	3.90%		
							110°	11	4.30%		
							120°	12	4.70%		
							130°	13	5.10%		
							140°	14	5.50%		
							150°	15	5.90%		
							160°	16	6.30%		
							170°	17	6.70%		
							180°	18	7.10%		
							190°	19	7.50%		
							200°	20	7.80%		
							210°	21	8.20%		
							220°	22	8.60%		
							240°	24	9.40%		
							250°	25	9.80%		
							260°	26	10.20%		
							270°	27	10.60%		
							280°	28	11.00%		
							290°	29	11.40%		
							300°	30	11.80%		
							310°	31	12.20%		
							320°	32	12.60%		

1 4 C H	1 7 C H	2 3 C H	6 2 C H	6 8 C H	1 1 C H	Function	Description	DMX Value	Percent	Default DMX	Fade
							330°	33	12.90%		
							340°	34	13.30%		
							350°	35	13.70%		
							360°	36	14.10%		
							Ramp up (fade on, snap off)	37-40	14.5-15.5%		
							Ramp up, random	41-44	16.0-17.0%		
							Ramp down	45-48	17.5-18.5%		
							Ramp down, random	49-52	19.0-20.0%		
							Ramp up / down	53-56	20.5-21.5%		
							Ramp up / down, random	57-60	22.0-23.0%		
							Random white beam	61-64	23.5-24.5%		
							Random single pixel of white beam	65-68	25.0-26.0%		
							Lightning	69-72	26.5-27.5%		
							Spikes (flash over low light)	73-76	28.0-29.0%		
							No function	77-179	29.5-70.0%		
							Double flash	180-191	70.6-74.9%		
							Double flash, random	192-203	75.3-79.6%		
							Triple flash	204-215	80.0-84.3%		
							Triple flash,	216-227	84.7-89.0%		

1 4 C H	1 7 C H	2 3 C H	6 2 C H	6 8 C H	1 1 C H	Function	Description	DMX Value	Percent	Default DMX	Fade
							random				
							Quad flash	228-239	89.4-93.7%		
							Quad flash, random	240-251	94.1-98.4%		
							No effect	252-255	98.5-100%		
1 2	1 2	1 2	1 2	1 2	8	Plates Red	Both plates red intensity 0-100%	0-255	0-100%	255	Fade
1 3	1 3	1 3	1 3	1 3	9	Plates Green	Both plates green intensity 0-100%	0-255	0-100%	255	Fade
1 4	1 4	1 4	1 4	1 4	1 0	Plates Blue	Both plates blue intensity 0-100%	0-255	0-100%	255	Fade
*	*	*	*	*	1 1	Plates White	Both plates white intensity 0-100%	0-255	0-100%	255	Fade
*	1 5	*	*	*	*	Plates Flash Background d Red	Intensity 0-100%	0-255	0-100%	0	Fade
*	1 6	*	*	*	*	Plates Flash Background d Green	Intensity 0-100%	0-255	0-100%	0	Fade
*	1 7	*	*	*	*	Plates Flash Background d Blue	Intensity 0-100%	0-255	0-100%	0	Fade
*	*	1 5	*	*	*	FX Crossfade	Crossfade duration snap - slow	0-255	0-255	0	Fade

1 4 C H	1 7 C H	2 3 C H	6 2 C H	6 8 C H	1 1 C H	Function	Description	DMX Value	Percent	Default DMX	Fade
*	*	1 6	*	*	*	Plate FX Movemen t	Plate FX movement speed slow - fast	0-255	0-255	0	Snap
*	*	1 7	*	*	*	Plate FX Select	Plate FX pattern select	0-255	0-255	0	Snap
*	*	1 8	*	*	*	Beam FX Movemen t	Beam FX movement speed slow - fast	0-255	0-255	0	Snap
*	*	1 9	*	*	*	Beam FX Select	Beam FX pattern select	0-255	0-255	0	Snap
*	*	2 0	*	*	*	Plates Master	FX background intensity 0- 100%	0-255	0-255	0	Fade
*	*	2 1	*	*	*	Plates Backgrou nd Red	FX background intensity red 0- 100%	0-255	0-255	0	Fade
*	*	2 2	*	*	*	Plates Backgrou nd Green	FX background intensity green 0- 100%	0-255	0-255	0	Fade
*	*	2 3	*	*	*	Plates Backgrou nd Blue	FX background intensity blue 0- 100%	0-255	0-255	0	Fade

1 4 C H	1 7 C H	2 3 C H	6 2 C H	6 8 C H	1 1 C H	Function	Description	DMX Value	Percent	Default DMX	Fade
*	*	*	1 5	*	*	Plate Pixel 1	Red intensity 0-100%	0-100%	0-255	0	Fade
*	*	*	1 6	*	*		Green intensity 0-100%	0-100%	0-255	0	Fade
*	*	*	1 7	*	*		Blue intensity 0-100%	0-100%	0-255	0	Fade
*	*	*	1 8	*	*	Plate Pixel 2	Red intensity 0-100%	0-100%	0-255	0	Fade
*	*	*	1 9	*	*		Green intensity 0-100%	0-100%	0-255	0	Fade
*	*	*	2 0	*	*		Blue intensity 0-100%	0-100%	0-255	0	Fade
*	*	*	2 1	*	*	Plate Pixel 3	Red intensity 0-100%	0-100%	0-255	0	Fade
*	*	*	2 2	*	*		Green intensity 0-100%	0-100%	0-255	0	Fade
*	*	*	2 3	*	*		Blue intensity 0-100%	0-100%	0-255	0	Fade
*	*	*	2 4	*	*	Plate Pixel 4	Red intensity 0-100%	0-100%	0-255	0	Fade
*	*	*	2 5	*	*		Green intensity 0-100%	0-100%	0-255	0	Fade
*	*	*	2 6	*	*		Blue intensity 0-100%	0-100%	0-255	0	Fade
*	*	*	2 7	*	*	Plate Pixel 5	Red intensity 0-100%	0-100%	0-255	0	Fade
*	*	*	2 8	*	*		Green intensity 0-100%	0-100%	0-255	0	Fade

1 4 C H	1 7 C H	2 3 C H	6 2 C H	6 8 C H	1 1 C H	Function	Description	DMX Value	Percent	Default DMX	Fade
*	*	*	2 9	*	*		Blue intensity 0-100%	0-100%	0-255	0	Fade
*	*	*	3 0	*	*	Plate Pixel 6	Red intensity 0-100%	0-100%	0-255	0	Fade
*	*	*	3 1	*	*		Green intensity 0-100%	0-100%	0-255	0	Fade
*	*	*	3 2	*	*		Blue intensity 0-100%	0-100%	0-255	0	Fade
*	*	*	3 3	*	*	Plate Pixel 7	Red intensity 0-100%	0-100%	0-255	0	Fade
*	*	*	3 4	*	*		Green intensity 0-100%	0-100%	0-255	0	Fade
*	*	*	3 5	*	*		Blue intensity 0-100%	0-100%	0-255	0	Fade
*	*	*	3 6	*	*	Plate Pixel 8	Red intensity 0-100%	0-100%	0-255	0	Fade
*	*	*	3 7	*	*		Green intensity 0-100%	0-100%	0-255	0	Fade
*	*	*	3 8	*	*		Blue intensity 0-100%	0-100%	0-255	0	Fade
*	*	*	3 9	*	*	Plate Pixel 9	Red intensity 0-100%	0-100%	0-255	0	Fade
*	*	*	4 0	*	*		Green intensity 0-100%	0-100%	0-255	0	Fade
*	*	*	4 1	*	*		Blue intensity 0-100%	0-100%	0-255	0	Fade
*	*	*	4 2	*	*	Plate Pixel 10	Red intensity 0-100%	0-100%	0-255	0	Fade

1 4 C H	1 7 C H	2 3 C H	6 2 C H	6 8 C H	1 1 C H	Function	Description	DMX Value	Percent	Default DMX	Fade
*	*	*	4 3	*	*	Plate Pixel 11	Green intensity 0-100%	0-100%	0-255	0	Fade
*	*	*	4 4	*	*		Blue intensity 0-100%	0-100%	0-255	0	Fade
*	*	*	4 5	*	*		Red intensity 0-100%	0-100%	0-255	0	Fade
*	*	*	4 6	*	*		Green intensity 0-100%	0-100%	0-255	0	Fade
*	*	*	4 7	*	*		Blue intensity 0-100%	0-100%	0-255	0	Fade
*	*	*	4 8	*	*	Plate Pixel 12	Red intensity 0-100%	0-100%	0-255	0	Fade
*	*	*	4 9	*	*		Green intensity 0-100%	0-100%	0-255	0	Fade
*	*	*	5 0	*	*		Blue intensity 0-100%	0-100%	0-255	0	Fade
*	*	*	5 1	*	*	Beam Pixels	Pixel 1 intensity 0-100%	0-100%	0-255	0	Fade
*	*	*	5 2	*	*		Pixel 2 intensity 0-100%	0-100%	0-255	0	Fade
*	*	*	5 3	*	*		Pixel 3 intensity 0-100%	0-100%	0-255	0	Fade
*	*	*	5 4	*	*		Pixel 4 intensity 0-100%	0-100%	0-255	0	Fade
*	*	*	5 5	*	*		Pixel 5 intensity 0-100%	0-100%	0-255	0	Fade
*	*	*	5 6	*	*		Pixel 6 intensity 0-100%	0-100%	0-255	0	Fade

1 4 C H	1 7 C H	2 3 C H	6 2 C H	6 8 C H	1 1 C H	Function	Description	DMX Value	Percent	Default DMX	Fade
*	*	*	5 7	*	*		Pixel 7 intensity 0-100%	0-100%	0-255	0	Fade
*	*	*	5 8	*	*		Pixel 8 intensity 0-100%	0-100%	0-255	0	Fade
*	*	*	5 9	*	*		Pixel 9 intensity 0-100%	0-100%	0-255	0	Fade
*	*	*	6 0	*	*		Pixel 10 intensity 0-100%	0-100%	0-255	0	Fade
*	*	*	6 1	*	*		Pixel 11 intensity 0-100%	0-100%	0-255	0	Fade
*	*	*	6 2	*	*		Pixel 12 intensity 0-100%	0-100%	0-255	0	Fade
*	*	*	*	1 5	*	FX Crossfade	Crossfade duration snap - slow	0-255	0- 100%	0	Fade
*	*	*	*	1 6	*	Plate FX Movemen t	Plate FX movement speed slow - fast	0-255	0- 100%	0	Fade
*	*	*	*	1 7	*	Plate FX Select	Plate FX pattern select	0-255	0- 100%	0	Snap
*	*	*	*	1 8	*	Beam FX Movemen t	Beam FX movement speed slow - fast	0-255	0- 100%	0	Fade
*	*	*	*	1 9	*	Beam FX Select	Beam FX pattern select	0-255	0- 100%	0	Snap

1 4 C H	1 7 C H	2 3 C H	6 2 C H	6 8 C H	1 1 C H	Function	Description	DMX Value	Percent	Default DMX	Fade
*	*	*	*	2 0	*	Plate Master	FX background intensity 0- 100%	0-255	0- 100%	0	Fade
*	*	*	*	2 1	*	Plate Backgrou nd Pixel 1	Red	0- 100%	0-255	255	Fade
*	*	*	*	2 2	*		Green	0- 100%	0-255	255	Fade
*	*	*	*	2 3	*		Blue	0- 100%	0-255	255	Fade
*	*	*	*	2 4	*	Plate Backgrou nd Pixel 2	Red	0- 100%	0-255	255	Fade
*	*	*	*	2 5	*		Green	0- 100%	0-255	255	Fade
*	*	*	*	2 6	*		Blue	0- 100%	0-255	255	Fade
*	*	*	*	2 7	*	Plate Backgrou nd Pixel 3	Red	0- 100%	0-255	255	Fade
*	*	*	*	2 8	*		Green	0- 100%	0-255	255	Fade
*	*	*	*	2 9	*		Blue	0- 100%	0-255	255	Fade
*	*	*	*	3 0	*	Plate Backgrou nd Pixel 4	Red	0- 100%	0-255	255	Fade
*	*	*	*	3 1	*		Green	0- 100%	0-255	255	Fade
*	*	*	*	3 2	*		Blue	0- 100%	0-255	255	Fade

1 4 C H	1 7 C H	2 3 C H	6 2 C H	6 8 C H	1 1 C H	Function	Description	DMX Value	Percent	Default DMX	Fade
*	*	*	*	3	*	Plate Backgrou nd Pixel 5	Red	0-100%	0-255	255	Fade
*	*	*	*	3	*		Green	0-100%	0-255	255	Fade
*	*	*	*	3	*		Blue	0-100%	0-255	255	Fade
*	*	*	*	3	*	Plate Backgrou nd Pixel 6	Red	0-100%	0-255	255	Fade
*	*	*	*	3	*		Green	0-100%	0-255	255	Fade
*	*	*	*	3	*		Blue	0-100%	0-255	255	Fade
*	*	*	*	3	*	Plate Backgrou nd Pixel 7	Red	0-100%	0-255	255	Fade
*	*	*	*	4	*		Green	0-100%	0-255	255	Fade
*	*	*	*	4	*		Blue	0-100%	0-255	255	Fade
*	*	*	*	4	*	Plate Backgrou nd Pixel 8	Red	0-100%	0-255	255	Fade
*	*	*	*	4	*		Green	0-100%	0-255	255	Fade
*	*	*	*	4	*		Blue	0-100%	0-255	255	Fade
*	*	*	*	4	*	Plate Backgrou nd Pixel 9	Red	0-100%	0-255	255	Fade
*	*	*	*	4	*		Green	0-100%	0-255	255	Fade

1 4 C H	1 7 C H	2 3 C H	6 2 C H	6 8 C H	1 1 C H	Function	Description	DMX Value	Percent	Default DMX	Fade
*	*	*	*	4 7	*		Blue	0-100%	0-255	255	Fade
*	*	*	*	4 8	*	Plate Backgrou nd Pixel 10	Red	0-100%	0-255	255	Fade
*	*	*	*	4 9	*		Green	0-100%	0-255	255	Fade
*	*	*	*	5 0	*		Blue	0-100%	0-255	255	Fade
*	*	*	*	5 1	*	Plate Backgrou nd Pixel 11	Red	0-100%	0-255	255	Fade
*	*	*	*	5 2	*		Green	0-100%	0-255	255	Fade
*	*	*	*	5 3	*		Blue	0-100%	0-255	255	Fade
*	*	*	*	5 4	*	Plate Backgrou nd Pixel 12	Red	0-100%	0-255	255	Fade
*	*	*	*	5 5	*		Green	0-100%	0-255	255	Fade
*	*	*	*	5 6	*		Blue	0-100%	0-255	255	Fade
*	*	*	*	5 7	*	Beam Pixels Intensity	Pixel 1	0-100%	0-255	0	Fade
*	*	*	*	5 8	*		Pixel 2	0-100%	0-255	0	Fade
*	*	*	*	5 9	*		Pixel 3	0-100%	0-255	0	Fade
*	*	*	*	6 0	*		Pixel 4	0-100%	0-255	0	Fade

1 4 C H	1 7 C H	2 3 C H	6 2 C H	6 8 C H	1 1 C H	Function	Description	DMX Value	Percent	Default DMX	Fade
*	*	*	*	6 1	*		Pixel 5	0-100%	0-255	0	Fade
*	*	*	*	6 2	*		Pixel 6	0-100%	0-255	0	Fade
*	*	*	*	6 3	*		Pixel 7	0-100%	0-255	0	Fade
*	*	*	*	6 4	*		Pixel 8	0-100%	0-255	0	Fade
*	*	*	*	6 5	*		Pixel 9	0-100%	0-255	0	Fade
*	*	*	*	6 6	*		Pixel 10	0-100%	0-255	0	Fade
*	*	*	*	6 7	*		Pixel 11	0-100%	0-255	0	Fade
*	*	*	*	6 8	*		Pixel 12	0-100%	0-255	0	Fade

4. TECHNOLOGY REFERENCE

Input Voltage: AC100-240V 50/60Hz

Power: 1000W

Light Source: 576pcs 0.5w RGB 3in1+72pcs 10w White color

Resolution: 8 - 16 bit

Position feedback: Yes

Tilt:200°

Maximum ambient temperature: 45° C / 113° F

DMX Channels: 14CH/23CH/17CH/62CH/68CH/11CH

Control mode : DMX 512, master-slave , sound , Auto

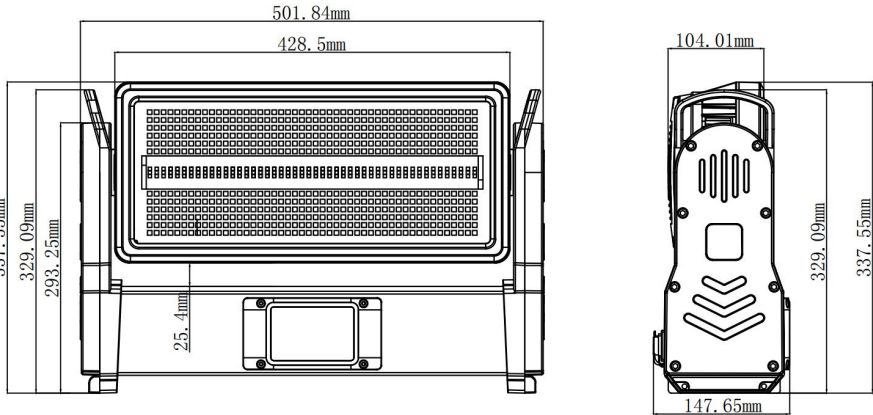
Dimmer: 0-100% electronic

Display : Colorful LCD display

Cooling : Efficient low noise fan cooling system

Power connector: PowerCON IN/ OUT
Signal connection: 3-pin XLR connectors IN/OUT
Signal connection: 5-pin XLR connectors IN/OUT
Product weight: 11.8kg

5.Product size



X